



MASTERFLOW

SUBMERSIBLE PUMP

P 50 Hz
Series

P-1052
P-3052
P-112
P-312

Non-Clog Stainless Steel SUS#316 Sewage Submersible Pump

P-123
P-323

P-333

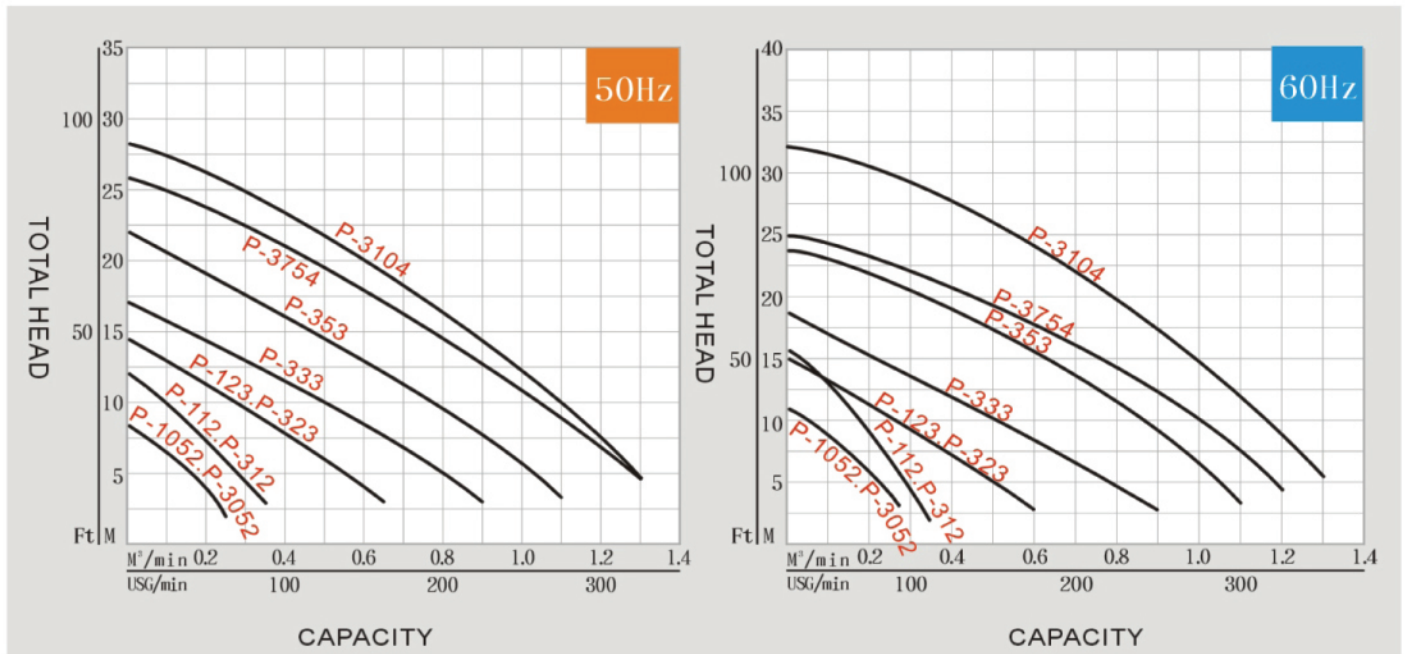
P-353

P-3754
P-3104



(Spare parts and material of pump could be made by request.)

PERFORMANCE CURVE

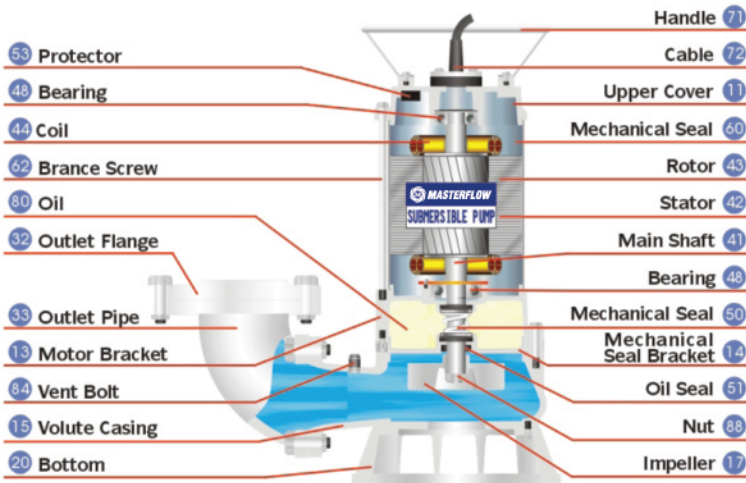


SPECIFICATION

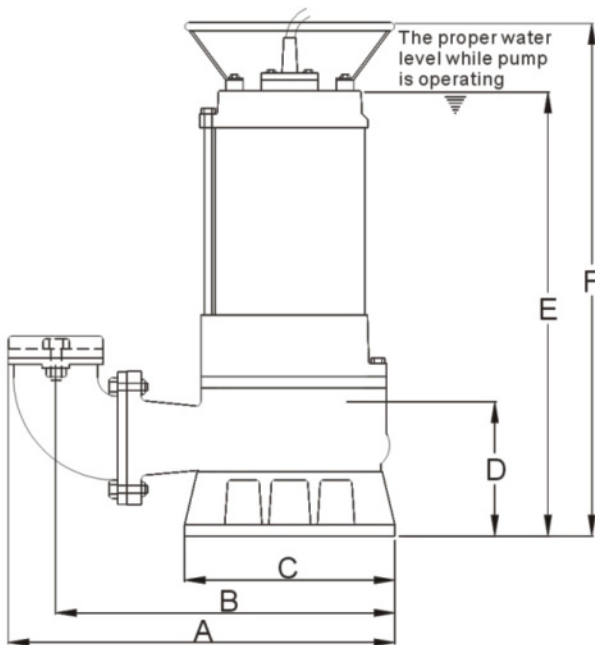


Type	Frequency		Phase	Power		Caliber		Pole/Rotation		Std.Head		Std.Flow		Max.Flow		P Weight	TUS-P Weight	Solid Passage
TYPE	Hz	Hz	PH	HP	KW	Inch	mm	P/rpm		M	M	M³/min	M³/min	M³/min	M³/min	KG	KG	mm
TUS-P-1052	50	60	1 Ø	1/2	0.4	2"	50	2P/2850	2P/3450	5 M	6 M	0.15	0.15	0.25	0.28	15	26	35
TUS-P-3052	50	60	3 Ø	1/2	0.4	2"	50	2P/2850	2P/3450	5 M	6 M	0.15	0.15	0.25	0.28	15	26	35
TUS-P-112	50	60	1 Ø	1	0.75	2"	50	2P/2850	2P/3450	8 M	8 M	0.18	0.22	0.35	0.35	18	29	35
TUS-P-312	50	60	3 Ø	1	0.75	2"	50	2P/2850	2P/3450	8 M	8 M	0.18	0.22	0.35	0.35	18	29	35
TUS-P-123	50	60	1 Ø	2	1.5	3"	80	2P/2850	2P/3450	9 M	10M	0.30	0.30	0.65	0.6	36	54	40
TUS-P-323	50	60	3 Ø	2	1.5	3"	80	2P/2850	2P/3450	9 M	10M	0.30	0.30	0.65	0.6	35	53	40
TUS-P-333	50	60	3 Ø	3	2.2	3"	80	2P/2850	2P/3450	11M	12M	0.40	0.40	0.90	0.9	42	60	45
TUS-P-353	50	60	3 Ø	5	3.7	3"	80	2P/2850	2P/3450	14M	15M	0.50	0.50	1.10	1.10	45	63	40
P-3754	50	60	3 Ø	7 1/2	5.5	4"	100	2P/2850	2P/3450	16M	17M	0.80	0.60	1.30	1.20	55		50
P-3104	50	60	3 Ø	10	7.5	4"	100	2P/2850	2P/3450	20M	20M	0.80	0.85	1.30	1.30	60		50

STRUCTURAL DRAWING



DIMENSION



Unit : mm

TYPE	A	B	C	D	E	F
P-1052	230	195	145	100	335	390
P-3052	230	195	145	100	335	390
P-112	230	195	145	100	365	420
P-312	230	195	145	100	365	420
P-123	385	330	205	130	475	530
P-323	385	330	205	130	435	490
P-333	425	370	230	150	465	530
P-353	425	370	230	150	485	560
P-3754	500	395	230	150	515	590
P-3104	500	395	230	150	535	610

FEATURES

1. Pump cover made from SUS#316 resists wastewater with weak-acid and weak-alkalinity.
2. Cable base and core wire are dealt with special leakproof and waterproof treatment in order to prevent the moisture into the motor.
3. Flow route of volute casing is equipped with the vortex impeller without clogging for pumping mud and the sewage effectively.
4. Equipped with vent bolt on the flow route of volute casing is to prevent air lock ensuring the pump operation steady.
5. Equipped with high quality dual mechanical seal, SIC mechanical seal is at option.
6. Motor is F class(155°C) insulation, enclosure IEC Ip68.
7. Motor overload protector prevents burnout from overheat.
8. This type can be quipped with automatic lifting frame device.

APPLICATION

1. Wastewater lift station, municipal wastewater treatment plant.
2. Building wastewater treatment system.
3. Piggery excrement, animal & poultry farm.
4. School, hospital, community wastewater treatment system.
5. Food, Paper, mining, textile, leather industry wastewater treatment system.

MATERIAL AND STANDARD TABLE

Caliber		50mm · 80mm · 100mm	
Liquid	Temperature	0 °C ~ 40 °C (32 °F ~ 104 °F)	
	Application	Available to deal with wastewater of building, sewer and industrial wastewater of food, paper, mining, textile, leather, dyeing and metal.	
	The lowest depth	▽30 M	
Pump	Structure	Impeller	Vortex Impeller
		Seal	Dual Mechanical Seal
	Material	Upper Cover	SUS-316
		Bearing	Heavy-duty bearing
		Impeller	SUS-316
		Volute Casing	SUS-316
		Motor Bracket	SUS-316
		Seal Bracket	SUS-316
	Seal	Lubricant	ISO VG. # 32
		Motor Side	Carbon/Ceramic
Pump Side		Silicon Carbide/Silicon Carbide	
Motor	Type	Submersible dry type	
	Insulation class	F class (155 °C)	
	Frequency	50Hz/60Hz	
	Pole/Rotation	2P/ 2850rpm/3450rpm	
	Phase/Volts	1 φ/110V/220V · 3 φ/220V/380V	
	Inner protector	Auto Reset Motor Protector	
	Material	Casing	SUS-316
Main Shaft		SUS-316	
Cable		Standard VCT/Optional	

*Spare parts and material of pump could be made by request.

TUS-P 50 Hz Series

TUS-P-1052
TUS-P-3052
TUS-P-112
TUS-P-312



TUS-P-123
TUS-P-323
TUS-P-333



TUS-P-353



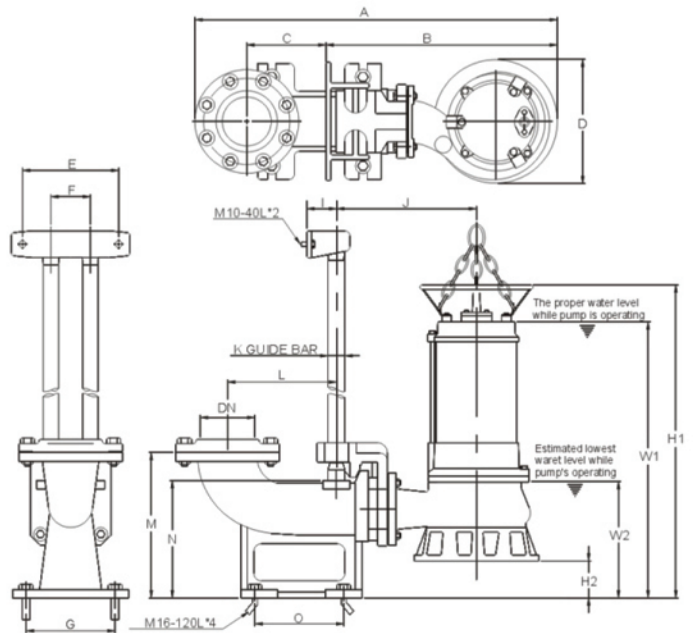
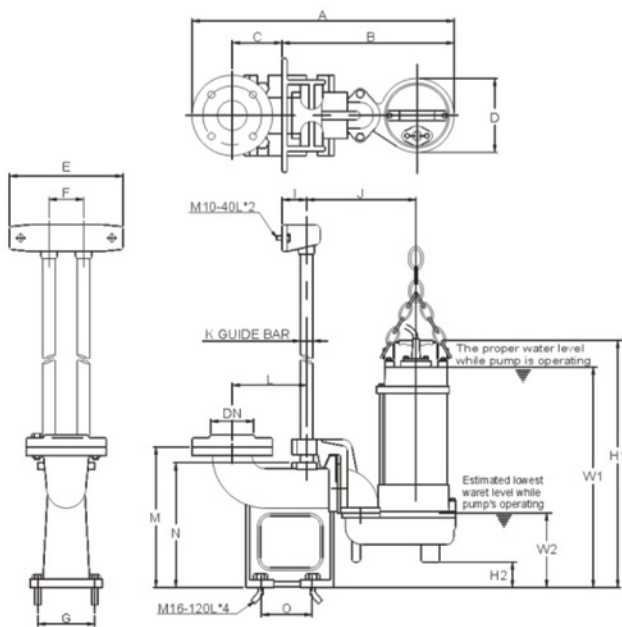
FEATURES

Operators do not need to enter the tank to uninstall or maintain the parts or others. It can prevent them from injury and avoid the equipment damage. This set of pump emphasizes the safety for operators.

APPLICATION

Piggery excrement, factory sewage, food-processing factory, leather factory, paper dyeing, iron and steel, and various industries.

DIMENSION



Unit : mm

TYPE	DN	A	B	C	D	E	F	G	I	J	K	L	M	N	O	W1	W2	H1	H2
TUS-P-1052	50	545	365	100	145	185	70	115	50	220	1"	150	285	253	103	385	145	430	60
TUS-P-3052	50	545	365	100	145	185	70	115	50	220	1"	150	285	253	103	385	145	430	60
TUS-P-112	50	545	365	100	145	185	70	115	50	220	1"	150	285	253	103	415	145	465	60
TUS-P-312	50	545	365	100	145	185	70	115	50	220	1"	150	285	253	103	415	145	465	60
TUS-P-123	80	585	395	100	220	185	70	120	50	235	1 1/4"	150	305	275	135	630	245	680	110
TUS-P-323	80	585	395	100	220	185	70	120	50	235	1 1/4"	150	305	275	135	590	245	640	110
TUS-P-333	80	695	435	100	255	185	70	120	50	260	1 1/4"	150	305	275	135	580	265	645	115
TUS-P-353	80	740	470	165	255	195	80	180	60	285	1 1/4"	225	290	240	170	565	235	640	80